

Engine

0	SECTION	GENERAL WARNINGS AND CAUTION LABELS
	SUBSECTION	
	1 / 2 GROUP	

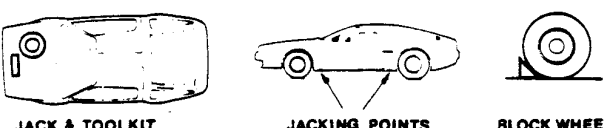
FIG.	PART NUMBER	DESCRIPTION	QTY	REMARKS
1	106091	FANS MAY START	1	FRONT OF FRAME
2	106093	BATTERY GASES	1	BATTERY COVER
3	106094	BATTERY ACCESS	1	BATTERY COVER
4	106092	MODULE INTERCHANGE	1	R.H. ELECTRONIC CHASSIS
5	110741	HIGH ALTITUDE	1	ENGINE COVER
6	106090	NEGATIVE GROUND	2	BATTERY COVER AND ENGINE COVER
7	108722	COOLANT TANK	1	EXPANSION BOTTLE
8	110096	DMC LOGO	1	ON AIR CLEANER PAN
9	108717	JUMP STARTING	1	FIREWALL COMPARTMENT COVER
10	110810	A.C.U. WARNING	1	COMPRESSOR
11	105068	BRAKE FLUID WARNING	1	LUGGAGE COMPARTMENT
12	105200	UNLEADED GASOLINE	1	DASHBOARD FASCIA L.H.
13	108621	WASHER BOTTLE	1	LUGGAGE COMPARTMENT L.H. SIDE
14	108716	JACKING POINTS	1	JACK STOWAGE COVER

DO NOT REPRODUCE

WARNING
RADIATOR FANS
MAY START AT ANY
TIME

WARNING
BATTERIES PRODUCE EXPLOSIVE GASSES
KEEP SPARKS, FLAME, CIGARETTES
AWAY

SEE OWNERS HANDBOOK FOR SAFETY INSTRUCTIONS



JACK & TOOLKIT LOCATION JACKING POINTS BLOCK WHEEL

BATTERY ACCESS

WINDSHIELD WASHER RESERVOIR
USE WATER OR DILUTED METHANOL
DO NOT FILL WITH OIL, GASOLINE,
OR ANY OTHER OIL BASE MATERIAL

CAUTION
DO NOT INTERCHANGE
MODULES
SEE HAND BOOK

**UNLEADED
GASOLINE ONLY**

WARNING. Clean filler cap before removing.
Use only DOT 4 fluid from a sealed container

IMPORTANT. Use only 'FREON 12' or 'ARCTON 12' mixed with 'SUNISO 5GS' or 'TEXACO CAPELLA' as a refrigerant.
Recommended operating charge: 2-50lbs of 'FREON 12' or 'ARCTON 12' mixed with 1-8 cu ins of 'SUNISO 5GS' or 'TEXACO CAPELLA'
Compressor manufactured by: Sankyo, Isesaki, Japan.

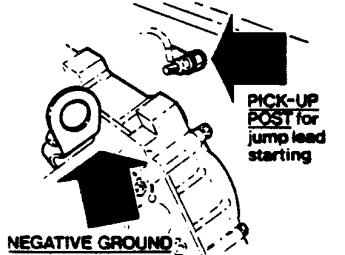
VEHICLE EMISSION CONTROL INFORMATION UPDATE



DELOREAN MOTOR CO. LTD.

THIS VEHICLE HAS BEEN MODIFIED TO IMPROVE EMISSION CONTROL PERFORMANCE WHEN OPERATED AT HIGH ALTITUDE. FOR FURTHER INFORMATION SEE SERVICE INSTRUCTIONS.

JUMP LEAD STARTING



NEGATIVE GROUND

PICK-UP POST for jump lead starting

IMPORTANT
See owner's handbook for SAFETY instructions



IMPORTANT
THIS VEHICLE IS
NEGATIVE GROUND

DANGER HOT WATER - REMOVE CAP SLOWLY
COOLANT FILLER TANK
Fill with 50% water 50% antifreeze containing aluminum inhibitor

0	SECTION	GENERAL IDENTIFICATION PLATES
	SUBSECTION	
	1 3 GROUP	

FIG.	PART NUMBER	DESCRIPTION	QTY	REMARKS
1	108715	ENGINE START/DOOR	1	
2	105197	CATALYST	1	UP TO VIN 10000) UNDERSIDE OF
	110571	CATALYST	1	FROM VIN 10001) ENGINE COVER
3	105198	TIRE LOAD	1	INSIDE GLOVEBOX
4	105199	EM CON INFORMATION	1	UP TO VIN 10000
	110570	EM CON INFORMATION	1	FROM VIN 10001
5	105241	VACUUM HOSE ROUTING	1	UP TO VIN 10000
	110588	VACUUM HOSE ROUTING	1	FROM VIN 10001

DO NOT REPRODUCE

1

TO START ENGINE		TO OPEN DOOR
MANUAL TRANSMISSION (COLD & HOT ENGINE)	AUTOMATIC TRANSMISSION (COLD & HOT)	FROM INSIDE: Unlocks by depressing front of lock button in door handle. Lift door handle.
1. Press the gear selector lever in Neutral	1. Press gear selector lever in Neutral or Park	FROM OUTSIDE: Unlocks with key by turning counterclockwise (RHS) or clockwise (LHS) and raise handle.
2. Depress the clutch pedal	2. Press down accelerator about 1/4 of total stroke	
3. Press down accelerator about 1/4 of total stroke	3. Turn key to starting position. When engine starts, release key and accelerator.	
4. Turn key to starting position. When engine starts, release key and accelerator.		

Do not operate locks when doors are open

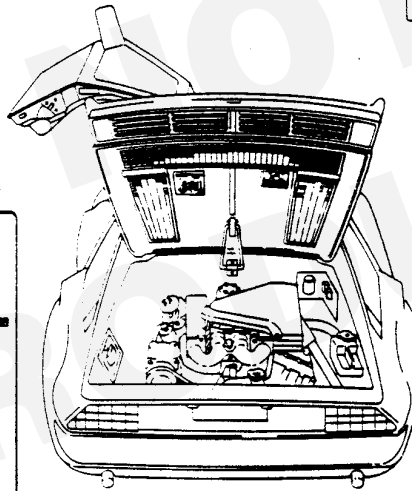
2

VEHICLE EMISSION CONTROL INFORMATION
*AS VEHICLE CONFORMS TO U.S.E.P.A. REGULATIONS APPLICABLE TO 1981 MODEL YEAR NEW MOTOR VEHICLES

CATALYST

3

VEHICLE CAPACITY WEIGHT	400 LBS.
DESIGNATED SEATING CAPACITY	2
RECOMMENDED COLD TIRE INFLATION PRESSURE	FRONT 22 P.S.I. REAR 30 P.S.I. SPARE 30 P.S.I.
PRESSURES APPLY TO ALL VEHICLE LOADING CONDITIONS UP TO VEHICLE CAPACITY WEIGHT SHOWN ABOVE	
RECOMMENDED TIRE SIZES	
FRONT	195/65HR - 14
REAR	225/65HR - 15
SPARE	T125/70D - 15 175/100



5

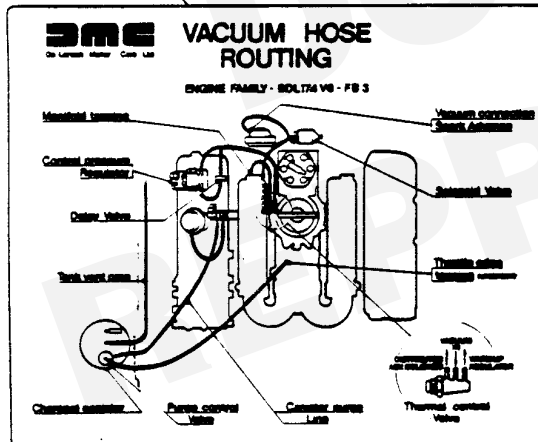
VEHICLE EMISSION CONTROL INFORMATION

DMC

VEHICLE CAPACITY WEIGHT: 400 LBS. (181.4 KG)
DESIGNATED SEATING CAPACITY: 2
RECOMMENDED COLD TIRE INFLATION PRESSURE: FRONT 22 P.S.I. (1.5 BAR), REAR 30 P.S.I. (2.1 BAR), SPARE 30 P.S.I. (2.1 BAR)

ITEM	CONFORMS TO	EXCEEDS REQUIREMENTS
CONTROL EMISSIONS	SAE 8.01 (R) (1975-1980)	SAE 8.01 (R) (1975-1980)
CONTROL EMISSIONS	SAE 8.01 (R) (1975-1980)	SAE 8.01 (R) (1975-1980)
CONTROL EMISSIONS	SAE 8.01 (R) (1975-1980)	SAE 8.01 (R) (1975-1980)
CONTROL EMISSIONS	SAE 8.01 (R) (1975-1980)	SAE 8.01 (R) (1975-1980)

THIS VEHICLE CONFORMS TO THE U.S.E.P.A. REGULATIONS APPLICABLE TO 1981 MODEL YEAR NEW MOTOR VEHICLES.



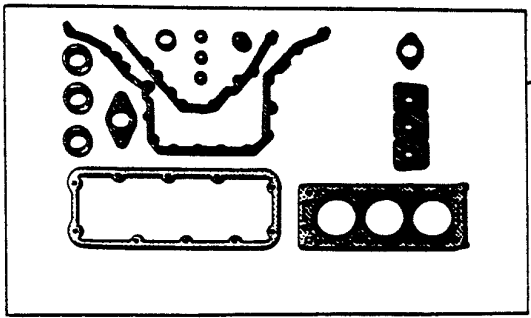
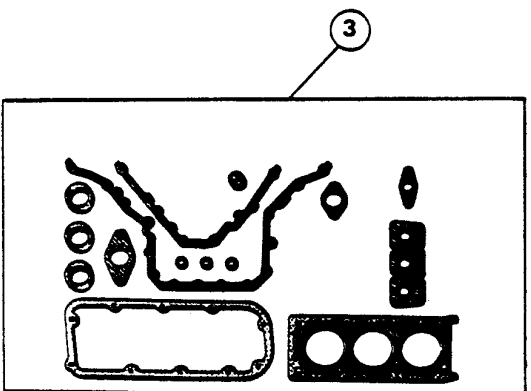
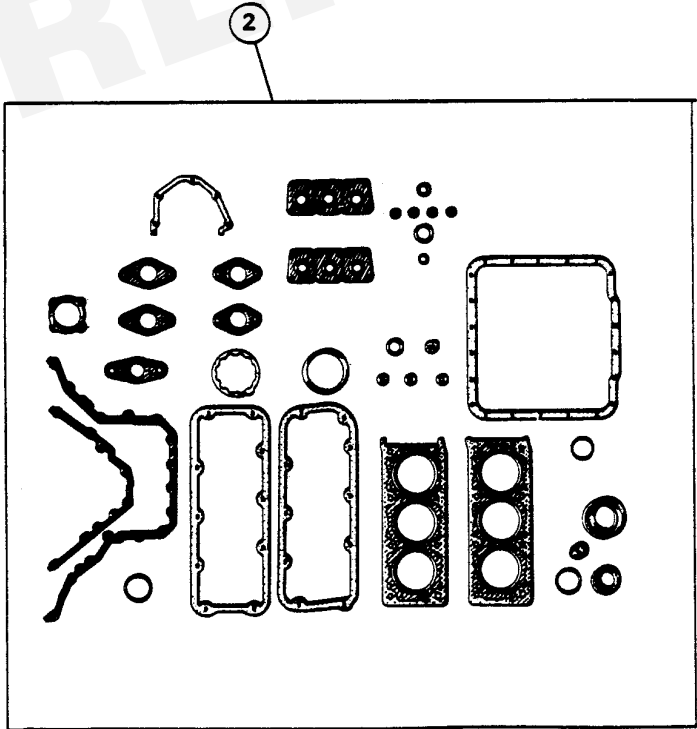
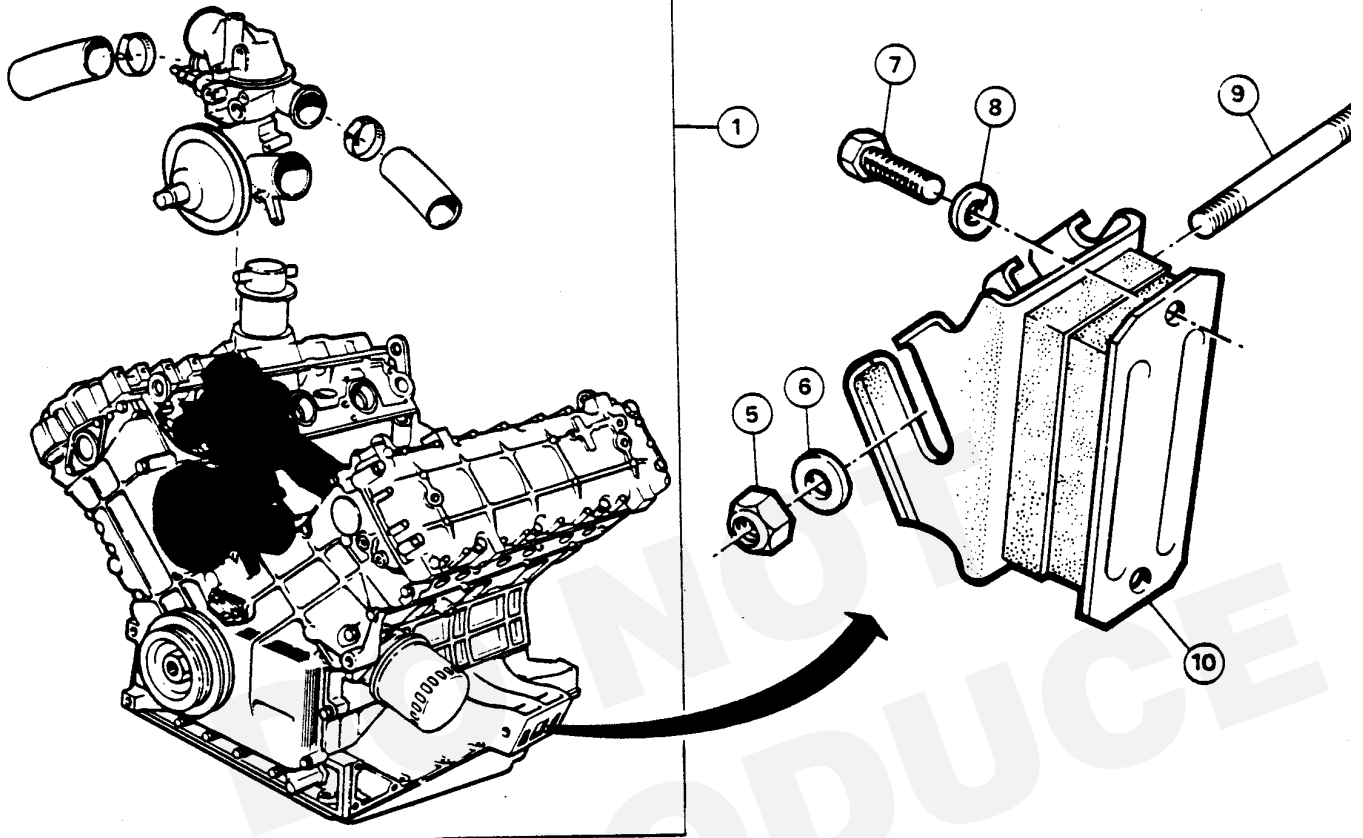
SECTION		ENGINE		
SUBSECTION		BASIC ENGINE/GASKETS/MOUNTINGS		
1 / 1 / 0 GROUP				
FIG.	PART NUMBER	DESCRIPTION	QTY	REMARKS
1	102854	BASIC ENGINE	1	
2	102565	• GASKET KIT	1	ENGINE OVERHAUL
3	102566	• GASKET KIT - CYL 123	1	CYL HEAD OVERHAUL
4	102567	• GASKET KIT - CYL 456	1	CYL HEAD OVERHAUL
5	SP10026	NYLOC NUT M10	4	
6	SP10835	LARGE WASHER M10	4	
7	SP10009	SCREW M8	4	
8	SP10032	WASHER M8	4	
9	100904	STUD M10	2	
10	100778	ENGINE MT BRACKET	2	

DO NOT REPRODUCE

CYLINDERS 123 AND 456 ARE LH AND RH BANKS RESPECTIVELY WHEN VIEWED FROM THE FLYWHEEL END OF THE ENGINE.

ENGINE
BASIC ENGINE/GASKETS/MOUNTINGS

SECTION
1
SUBSECTION
1
GROUP
0



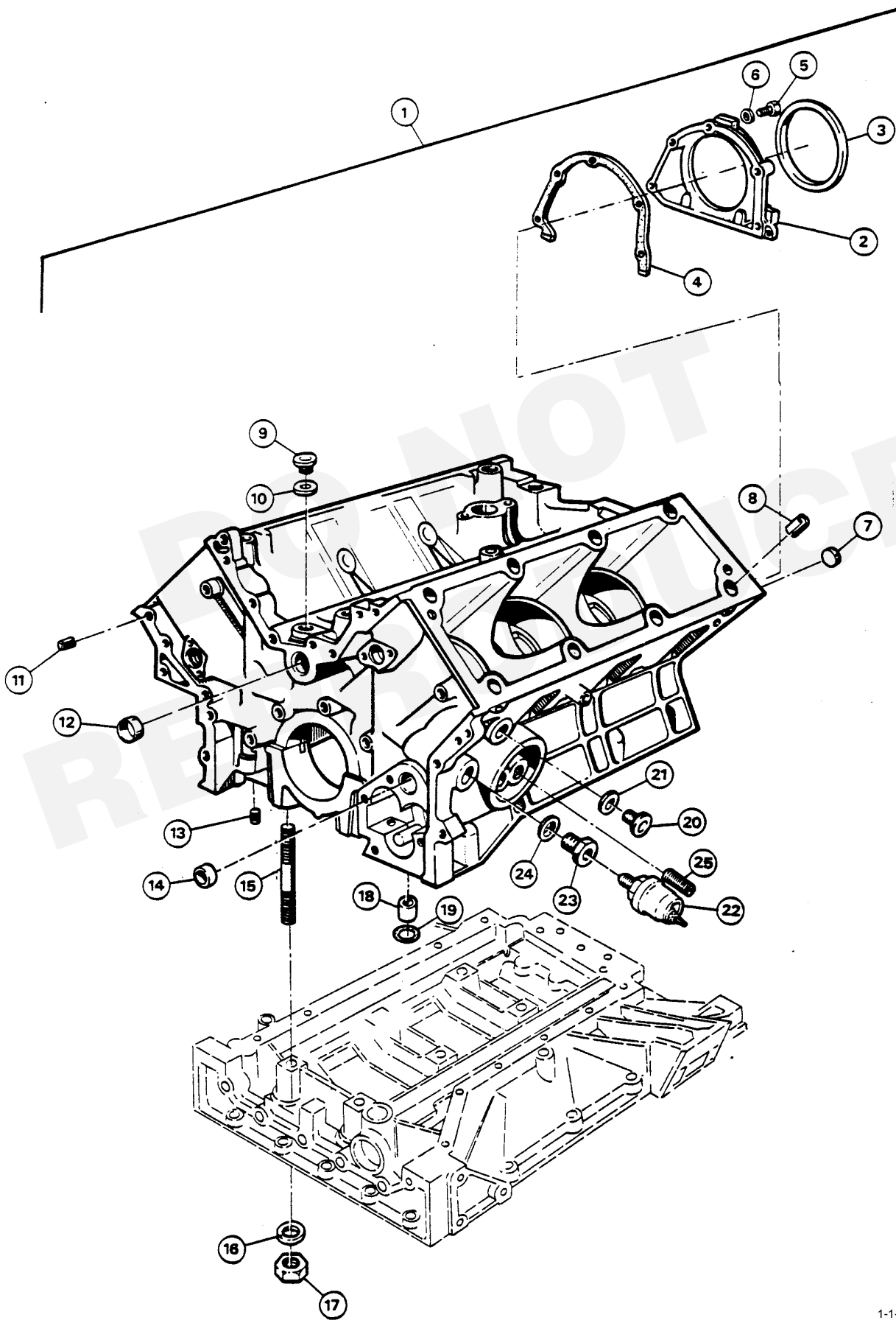
1-1-0-1-18-82

1 SECTION		ENGINE BLOCK		
1 SUBSECTION				
1 GROUP				
FIG.	PART NUMBER	DESCRIPTION	QTY	REMARKS
1	102001	CYLINDER BLOCK ASSY	1	
2	102023	BRACKET PLATE	1	
3	102024	SEALING RING 100 x 13	1	PART OF 1-1-0 (GSKT KIT) FIG. 2
4	102022	GASKET - REAR	1	PART OF 1-1-0 (GSKT KIT) FIG. 2
5	102025	SCREW M7 x 100	5	
6	102026	SPRING WASHER M7	5	
7	102004	PLUG 14-5	1	
8	102008	SPRING PIN 16-14	4	
9	102010	PLUG M18 x 150	3	
10	102461	SEALING WASHER M18	3	PART OF 1-1-0 (GSKT KIT) F1
11	102007	SPRING PIN 8-18	4	
12	102003	PLUG M25	1	
13	102463	PLUG M12 x 150	1	
14	102002	PLUG M22	1	
15	102006	STUD M12 x 150 - 12-	8	
16	102020	WASHER M12	8	
17	101021	NUT M12 x 150	8	
18	102613	LOCATING BUSH	1	
19	102009	'O' RING SEAL	1	
20	103815	PLUG COOLANT DRAIN	3	
21	102101	SEALING WASHER	3	PART OF 1-1-0 (GSKT KIT) FIG. 2
22	102763	OIL PRESSURE SENDER	1	
23	102821	SENDER ADAPTOR	1	
24	102013	SEALING WASHER	1	PART OF 1-1-0 (GSKT KIT) FIG. 2
25	102115	ADAPTOR - OIL FILTER	1	SEE SUBSECTION 2 GROUP 0
		OIL PUMP ASSEMBLY	1	SEE SUBSECTION 2 GROUP 0

NOTE: FIG. 22 IS FOR OIL PRESSURE GAUGE
REFER TO SECTION 1 - SUBSECTION 2, GROUP 0
(OIL PUMP) FOR SENSOR, FIG. 3 TO WARNING LIGHT.

ENGINE BLOCK

SECTION 1
SUBSECTION 1
GROUP 1



1-1-12-22-81

1 SECTION		ENGINE		
1 SUBSECTION		CRANKSHAFT/PISTON ASSEMBLY		
1 2 GROUP				
FIG.	PART NUMBER	DESCRIPTION	QTY	REMARKS
1	102612	CONN ROD BEARING SET	1	SIX PAIRS PER SET
2	102620	PISTON SERVICE SET	6	
3	102621	• PISTON RING SET	6	
4	102614	CYL LINER SPACER		0.07 TO 0.10MM THICK) 6 OF EACH
	102615	CYL LINER SPACER		0.08 TO 0.12MM THICK) IN GASKET
	102616	CYL LINER SPACER		0.10 TO 0.14MM THICK) KIT 102565
	102617	CYL LINER SPACER		0.13 TO 0.16MM THICK) (SEE 1-1-0)
5	102043	CONN ROD ASSEMBLY	6	
6	101045	• CONN ROD SCREW	12	
7	102568	THRUST WASHER-CRANKSHAFT		2.30 TO 2.35MM THICK) TWO
	102609	THRUST WASHER-CRANKSHAFT	1	2.40 TO 2.45MM THICK) PAIRS
	102610	THRUST WASHER-CRANKSHAFT		2.45 TO 2.50MM THICK) PER
	102611	THRUST WASHER-CRANKSHAFT		2.50 TO 2.55MM THICK) SET
8	102608	MAIN BEARING SHELL SET	1	
9	102041	CRANKSHAFT	1	
10	102509	WOODRUFF KEY	2	CRANKSHAFT NOSE

ENGINE
CRANKSHAFT/PISTON ASSEMBLY

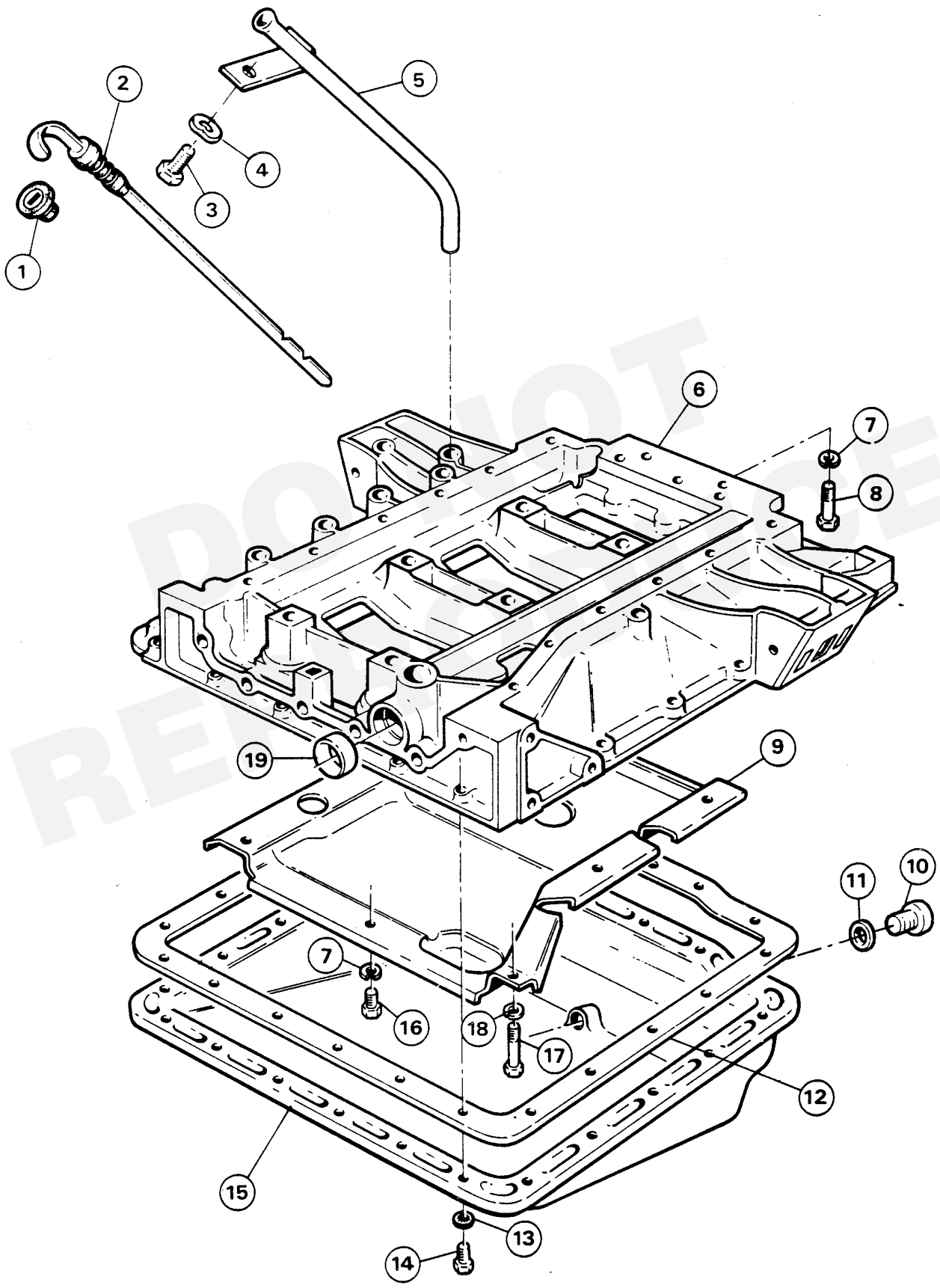
1	SECTION
	SUBSECTION
1	2 GROUP

DO NOT
REPRODUCE

1 SECTION		ENGINE		
1 SUBSECTION		CRANKCASE/OIL PAN/DIPSTICK		
1 3 GROUP				
FIG.	PART NUMBER	DESCRIPTION	QTY	REMARKS
1	102111	SEAL, DIPSTICK	1	
2	102109	DIPSTICK	1	
3	102475	SCREW M8 x 125	1	
4	102035	WASHER M8	1	
5	102858	GUIDE TUBE, DIPSTICK	1	
6	102031	CRANKCASE	1	
7	101048	WASHER M7	1	
8	101047	SCREW M7	2	
9	102033	DEFLECTOR, OIL	1	
10	103815	DRAIN PLUG, MAGNETIC	1	
11	102101	SEALING WASHER	1	
12	102102	GASKET, OIL PAN	1	
13	102618	SPRING WASHER M7	22	
14	102198	SCREW M7	22	
15	102032	OIL PAN	1	
16	102554	SCREW M7	1	
17	102034	SCREW M8	12	
18	102035	SPRING WASHER M8	12	
19	102003	PLUG 25	1	

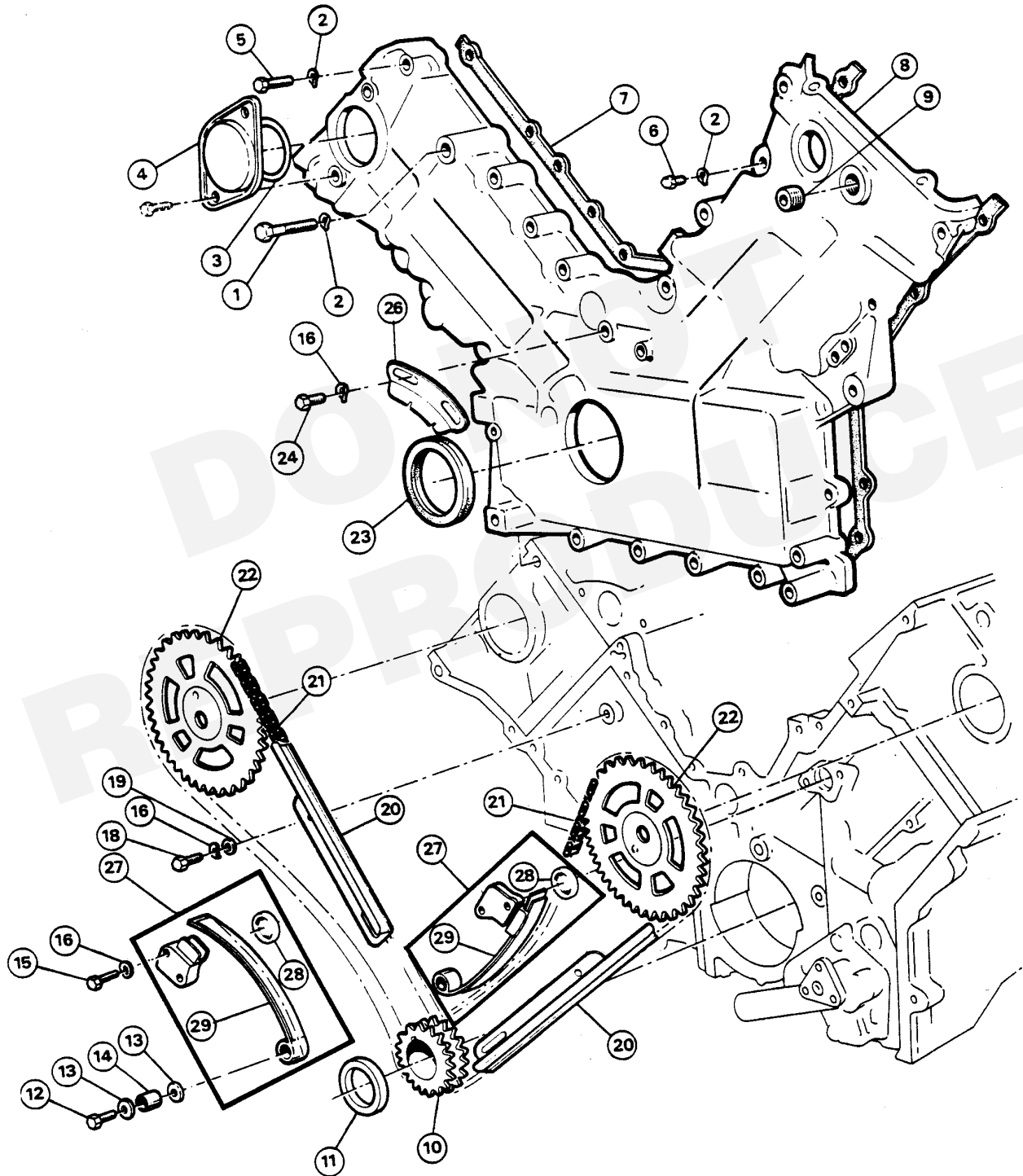
ENGINE
CRANKCASE/OIL PAN/DIPSTICK

SECTION
1
SUBSECTION
1
GROUP
3



1-1-3-12-18-81

1 SECTION		ENGINE		
1 SUBSECTION		TIMING CHAINS		
1 4 GROUP				
FIG.	PART NUMBER	DESCRIPTION	QTY	REMARKS
1	102148	SCREW M7	1	
2	101048	WASHER	25	
3	102820	SEAL - 'O' RING	1	PART OF 102565 (GASKET KIT 1-1-0)
4	102194	COVER PLATE	1	
5	102199	SCREW M7	19	
6	102198	SCREW M7	5	
7	102197	GASKET - TIMING GEAR	1	PART OF 102556, 102566 & 102567 (GASKET KIT 1-1-0)
8	102192	COVER - TIMING GEAR	1	
9	102196	PLUG 3/8"	1	
10	102056	SPROCKET-CRANKSHAFT	1	
11	102058	SPACER SLEEVE	1	
12	102221	SCREW M7	2	
13	102222	WASHER M7	4	
14	102220	SPACER SLEEVE	2	
15	102217	SCREW M6	4	
16	102218	WASHER SPRING M6	4	
18	102274	SCREW M6	4	
19	102228	WASHER M6	4	
20	102857	CHAIN GUIDE	2	
21	102214	CHAIN-TIMING	2	
22	102209	TIMING SPROCKET	2	
23	102573	LIP SEAL	1	PART OF 102565 (GASKET KIT 1-1-0)
24	102761	SCREW	2	
25	101061	WASHER-SPRING	2	
26	102762	TMG PLATE-IGNITION	1	
27	102605	CHAIN TENSIONER SET	2	
28	102215	FILTER	2	
29	102219	CHAIN TENSIONER	2	

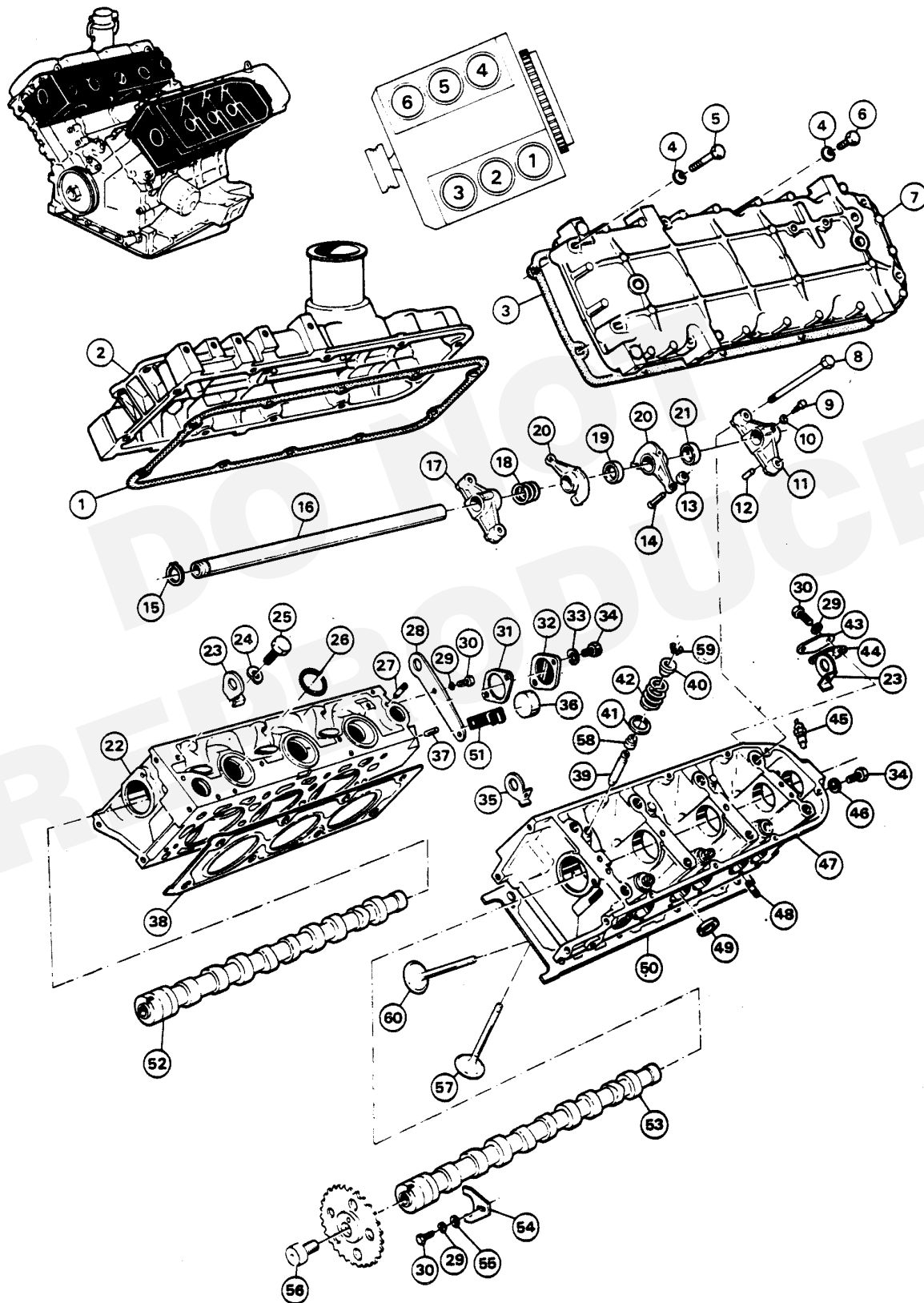


1	SECTION		ENGINE	
	1	SUBSECTION	CYLINDER HEAD/VALVE TRAIN	
		5	GROUP	
FIG.	PART NUMBER	DESCRIPTION	QTY	REMARKS
1	102256	GSKT-RKR CVR CYL 456	1	PART OF 102565 & 102567 GASKET KITS (1-1-0)
2	102252	COVER-RKR CYL 456	1	
3	102249	GSKT RKR CVR CYL 123	1	PART OF 102565 & 102566 GASKET KITS (1-1-0)
4	102250	WASHER-SPRING M7	20	
5	102251	SCREW M7	10	
6	102198	SCREW M7	10	
7	102248	COVER RKR CYL 123	1	
8	102178	SCREW-CYLINDER HEAD	16	
9	102246	SCREW-LOCK	2	
10	102218	WASHER-SPRING	2	
11	102234	SHAFT RET-ROCKER ARM	4	
12	102235	LOCATING DOWEL	4	
13	102629	COLLAR-ROCKER ARM	12	
14	102241	SCREW-ROCKER ARM ADJ	12	
15	102247	WIRE RING	2	
16	102231	OM; AMD EXJ-RKR SFT	2	
17	102233	ROCKER ARM SHAFT RET	4	
18	102243	SPRING-ROCKER ARM	6	
19	102244	SPACER SLEEVE	6	THICKNESS 5.35 MM
20	102236	ROCKER ARM	12	
21	102245	SPACER SLEEVE	6	THICKNESS 8.22 MM
22	102173	CYL HEAD 456 ASSY	1	PARTS 'A' INCLUDED
23	102185	LIFTING UNIT	2	
24	102035	WASHER-SPRING M8	3	
25	102187	SCREW M8	3	
26	102168	'O' RING SEAL	6	PART OF 102565, 3 OFF IN 102566 & 102567 GASKET KITS (1-1-0)
27	102177	STUD M7	1	
28	102188	LIFTING UNIT	1	
29	101048	WASHER-SPRING	6	
30	103029	BOLT	6	
31	102170	GASKET	2	PART OF 102565, 1 OFF IN 102566 & 102567 GASKET KITS (1-1-0)
32	102169	COVER-CYL HEAD ROCKER	2	
33	101061	WASHER-SPRING	4	
34	102274	SCREW M6	5	
35	102186	IFTING UNIT	1	
36	102159	PLUG 36	2	
37	102176	NIPPLE	1	
38	102175	GSKT-CYL HEAD-CYL 456	1	

CYLINDERS 123 AND 456 ARE LH AND RH BANKS RESPECTIVELY
WHEN VIEWED FROM THE FLYWHEEL END OF THE ENGINE

ENGINE
CYLINDER HEAD/VALVE TRAIN

SECTION
1
SUBSECTION
1
GROUP
5

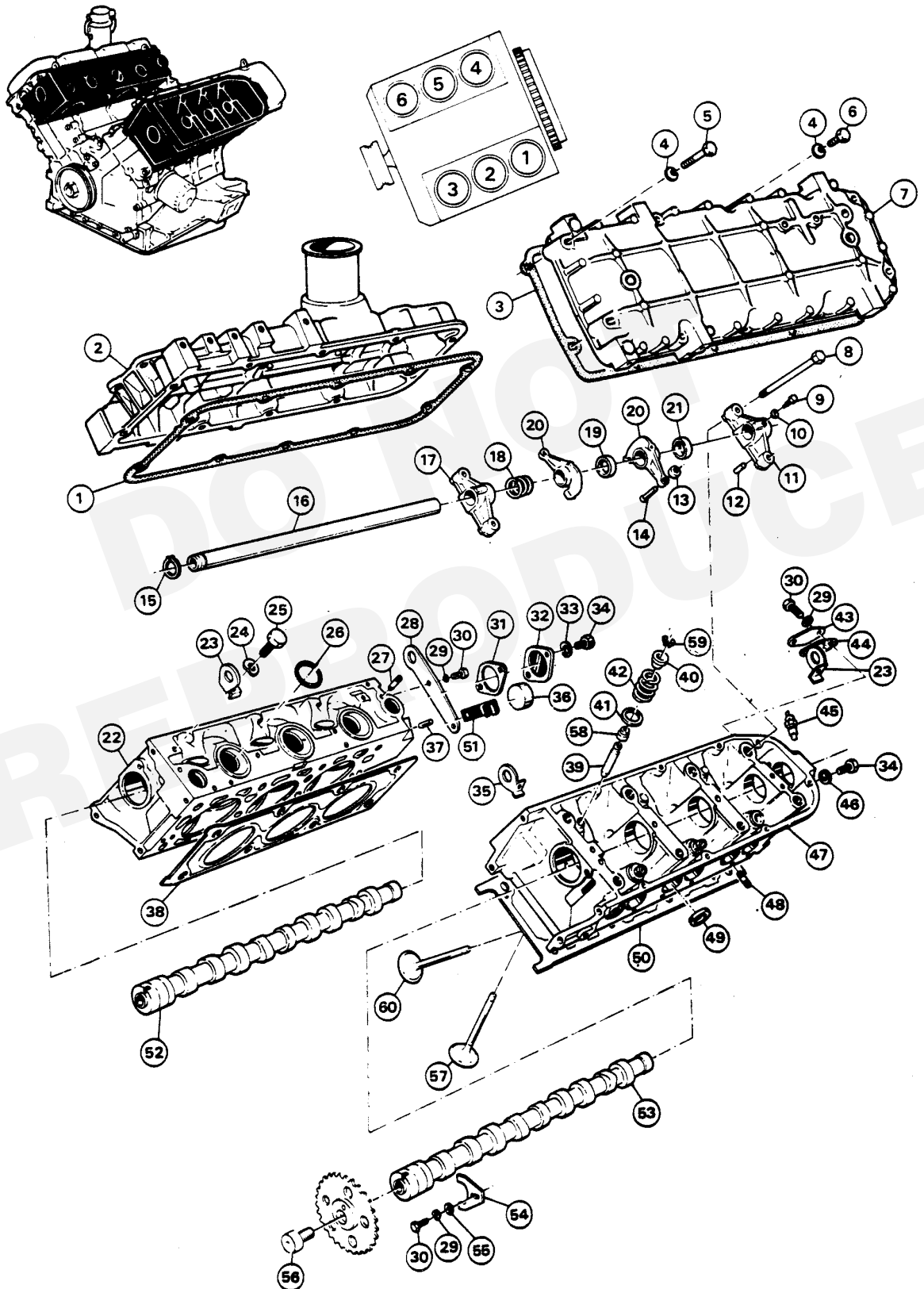


1 SECTION		ENGINE		
1 SUBSECTION		CYLINDER HEAD/VALVE TRAIN		
1 5 GROUP				
FIG.	PART NUMBER	DESCRIPTION	QTY	REMARKS
39	102163	VALVE GUIDE	12	13.10 MM DIA
	102624	VALVE GUIDE	12	
40	102181	VALVE SPRING RET	12	
41	102183	WASHER M21	12	
42	102184	VALVE SPRING	12	
43	102143	F/PUMP BLANKING PLT	1	
44	102414	F/PUMP GASKET	1	PART OF 102565 & 102566 GASKET KITS (1-1-0)
45	102450	TEMPERATURE SENSOR	1	
46	102195	'O' RING SEAL	1	PARTS OF 102565 GASKET KIT (1-1-0)
47	102157	CYL HEAD 123 ASSY	1	PARTS 'B' INCLUDED
48	102167	STUD M7	12	
49	102160	PLUG 27MM	6	
50	102166	GSKT CYL HD-CYL 123	1	PART OF 102565 & 102566 GASKET KITS (1-1-0)
51	SP10278	CABLE CLIP	1	
52	102706	CAMSHAFT-CYL 456	1	
53	102707	CAMSHAFT-CYL 123	1	
54	102206	CAMSHAFT THRUST PLT	2	
55	102208	WASHER M7	2	
56	102213	TMG SPROCKET SCREW	2	
57	102628	. INLET VALVE ASSY	2	COMPRISES THREE VALVES PER SET
58	102165	. VALVE STEM SEAL	6	PART OF 102565, 102566 & 102567 GASKET KITS (1-1-0)
59	102182	. VALVE KEEPER	12	
60	102627	EXHAUST VALVE ASSY	2	COMPRISES THREE VALVES PER SET

CYLINDERS 123 AND 456 ARE LH AND RH BANKS RESPECTIVELY
WHEN VIEWED FROM THE FLYWHEEL END OF THE ENGINE

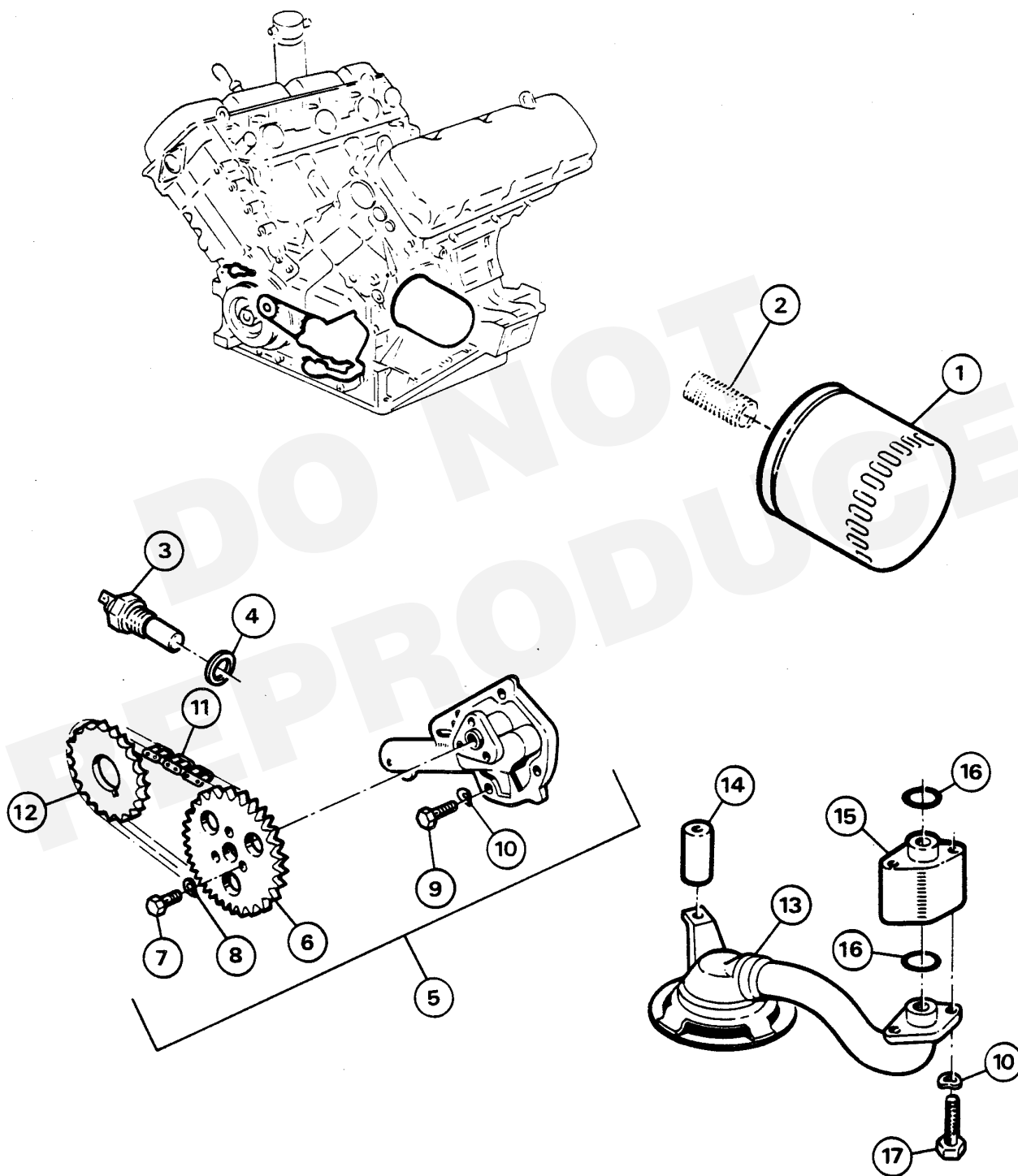
ENGINE
CYLINDER HEAD/VALVE TRAIN

SECTION
1
SUBSECTION
1
GROUP
5



1 SECTION		ENGINE		
2 SUBSECTION		OIL PUMP/FILTER		
0 GROUP				
FIG.	PART NUMBER	DESCRIPTION	QTY	REMARKS
1	102114	OIL FILTER	1	
2	102115	OIL FILTER ADAPTOR	1	PART OF CYLINDER BLOCK ASSY (1-1-1)
3	102462	OIL PRESSURE SENSOR	1	
4	102461	SEALING WASHER	1	
5	102622	OIL PUMP ASSEMBLY	1	PART OF CYLINDER BLOCK ASSY (1-1-1)
6	102081	. OIL PUMP DRVN SPKT	1	
7	102082	. SCREW M6	3	
8	102228	. WASHER M6	3	
9	102198	. SCREW M7	4	
10	101048	. WASHER M7	7	
11	102229	OIL PUMP DRIVE CHAIN	1	
12	102057	OIL PUMP DRIVE SPKT	1	
13	102084	OIL PUMP STRAINER	1	
14	101046	STRAINER BRKT SPACER	1	
15	102096	STRAINER PIPE SPACER	1	
16	102009	'O' RING SEAL	2	
17	103706	SCREW M7	3	

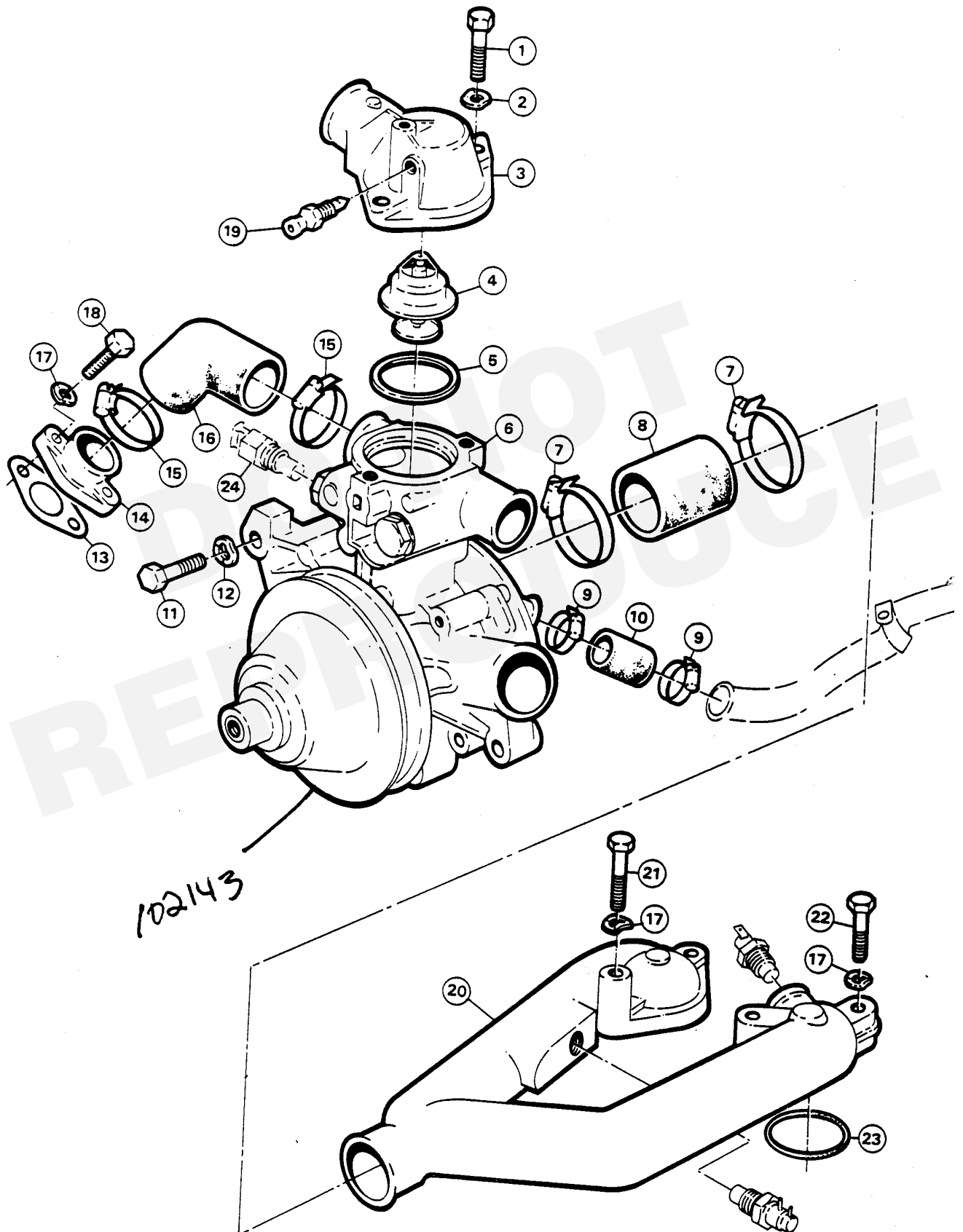
NOTE: ITEM 3 RELATES TO OIL PRESSURE WARNING LIGHT.
REFER TO CYLINDER BLOCK (1-1-1) FOR SENDER (ITEM 22)
TO OIL PRESSURE GAGE



SECTION		ENGINE COOLING SYSTEM		
SUBSECTION		WATER PUMP		
1	3	0	GROUP	
FIG.	PART NUMBER	DESCRIPTION	QTY	REMARKS
1	102191	SCREW M7	2	
2	102026	WASHER-SPRING M7	2	
3	102140	COVER-THERMOSTAT	1	
4	102709	THERMOSTAT	1	
5	102156	. GASKET THERMOSTAT	1	
6	102119	WATER PUMP ASSEMBLY	1	
7	102150	TERRY CLIP	2	
8	102149	WATER HOSE	1	
9	SP10350	TERRY CLIP	2	
10	102481	WATER HOSE	2	
11	102142	SCREW M8	3	
12	102035	WASHER-SPRING M8	3	
13	102152	GASKET	2	
14	102151	OUTLET PIPE FLANGE	2	
15	102150	HOSE CLAMP	2	
16	102153	WATER OUTLET HOSE	2	
17	101048	WASHER	4	
18	102198	SCREW M7	4	
19	102141	SCREW-BLEED	1	
20	102147	WATER DIST PIPE	1	
21	102148	SCREW M7	2	
22	102107	SCREW M7	2	
23	102146	SEAL-'O' RING	2	
24	102143	WATER PUMP PULLEY		

ENGINE COOLING SYSTEM
WATER PUMP

SECTION
1 3 0
SUBSECTION
GROUP



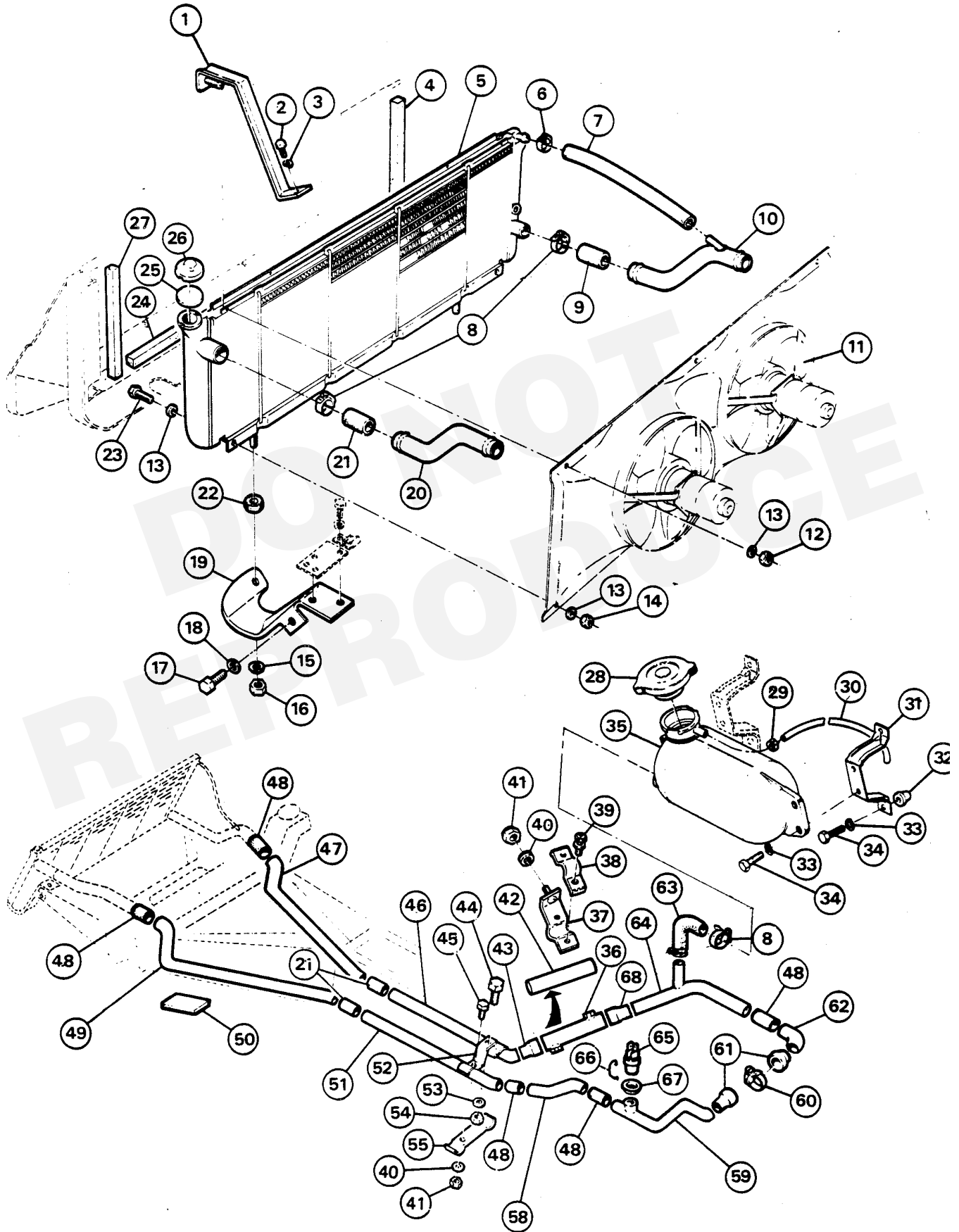
1-3-0-1-14-82

SECTION		ENGINE RADIATOR/PIPING	UP TO VIN 1233	
1	SUBSECTION			
	3 / 1 GROUP			
FIG.	PART NUMBER	DESCRIPTION	QTY	REMARKS
1	106850	RADIATOR STAY	1	
	106851	RADIATOR STAY LH	1	
2	SP10204	SCREW M6	2	
3	SP10252	SPRING WASHER M6	2	
4	106871	SEAL	1	
5	100486	RADIATOR	1	
6	SP10348	HOSE CLIP	3	
7	100502	AIR BLEED CONN HOSE	2	
8	SP10352	HOSE CLIP	26	
9	106822	HOSE-RAD CONNECTOR	1	
10	105992	FRONT WATER PIPE RH	1	
11	100415	FANS	2	
12	SP10851	NYLOC NUT M5	2	
13	SP10111	WASHER M5	2	
14	SP10106	NYLOC NUT M5	4	
15	SP10835	EXTRA LARGE WA M10	2	
16	SP10026	NYLOC NUT M10	2	
17	SP10103	SCREW M8	2	
18	S010035	SPRING WASHER M8	2	
19	105805	RAD SUPT BRACKET LH	1	
	105806	RAD SUPT BRACKET RH	1	
20	105988	FRONT WATER PIPE LH	1	
21	100506	HOSE CONN	3	
22	101365	RAD MOUNTING RUBBER	4	
23	SP10100	SCREW M5	4	
24	106872	SEAL	1	
25	109136	SEAL, RADIATOR CAP	1	
26	109135	CAP, RADIATOR	1	
27	106870	SEAL	1	
28	101977	. HD BOTTLE CAP	1	
29	SP10348	HOSE CLIP	3	
30	100502	AIR BLEED CONN HOSE	2	
31	105779	BRACKET	2	
32	SP10613	RIVNUT M6	4	
33	SP10252	SPRING WASHER	4	
34	SP10016	SCREW M6	8	
35	101944	HEADER BOTTLE ASSY		
36	100448	OIL COOLER	1	
37	108142	OIL COOLER SUPT BRKT	1	
38	106151	OIL COOLER CLAMP	1	
39	SP10454	SEMS SCREW M5	2	
40	SP10031	WASHER M6	2	
41	SP10024	NYLOC NUT M6	2	
42	105995	REPL OIL COOLER PIPE	1	
43	105994	HOSE, INTERMEDIATE	1	

ENGINE
RADIATOR/PIPING

UP TO VIN 1233

SECTION
SUBSECTION
1 3 1 GROUP



1	SECTION	ENGINE RADIATOR/PIPING	UP TO VIN 1233
	SUBSECTION		
	3 GROUP		

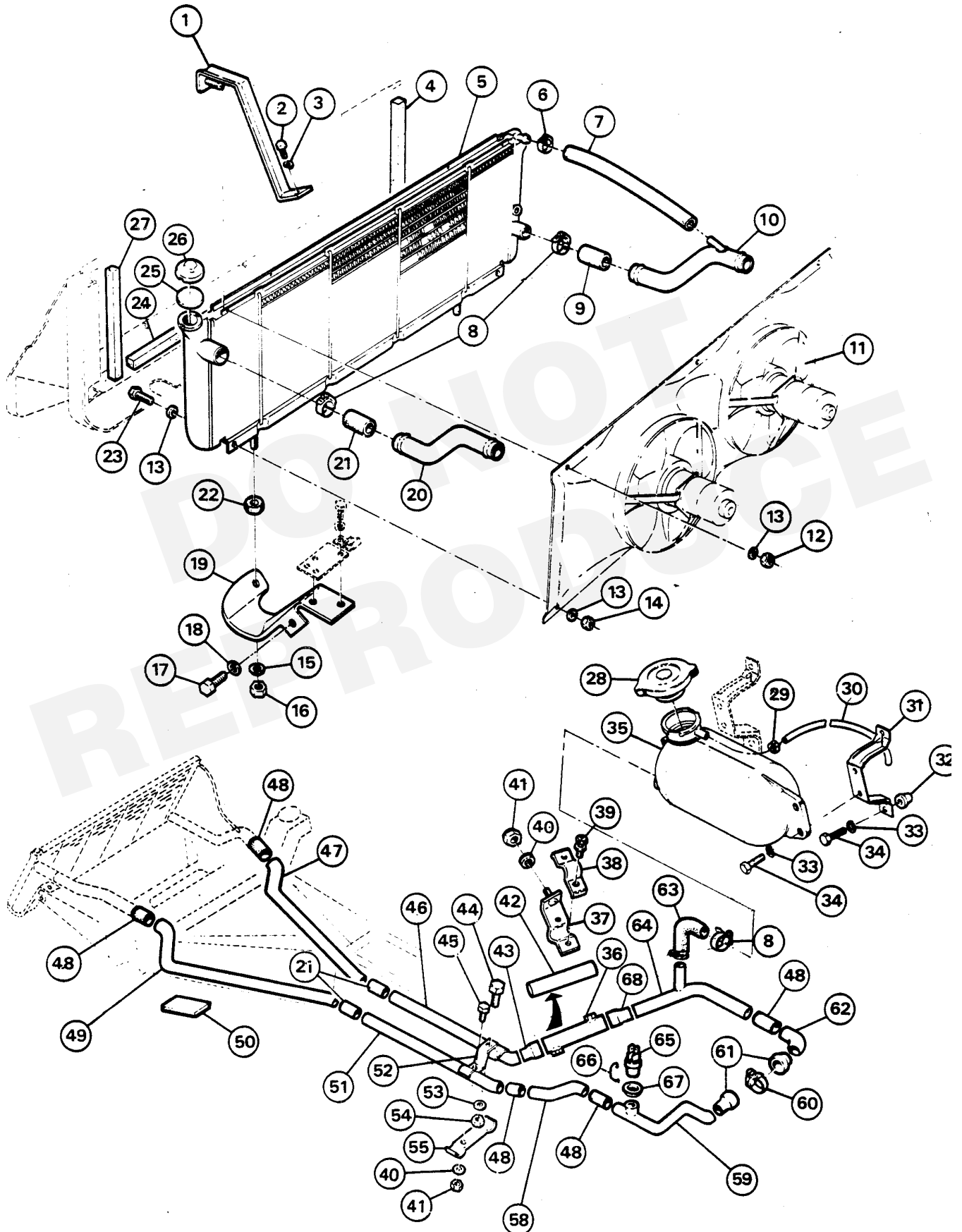
FIG.	PART NUMBER	DESCRIPTION	QTY	REMARKS
44	SP10018	SCREW M10	1	
45	SP10015	SCREW M6	8	
46	105993	MAIN WATER RAIL RH	1	
47	105990	'S' PIPE RH	1	
48	106033	WATER HOSE	4	
49	105989	'S' PIPE	1	
50	106711	PACKING	2	
51	100493	MAIN WATER RAIL LH	1	
52	106819	WATER PIPE BRACKET	1	
53	SP10033	WASHER M10	1	
54	SP10026	NUT NYLOC M5	4	
55	106820	WATER PIPE STRAP	1	
58	101595	WATER PIPE REAR LH	1	
59	101943	WATER PIPE ENGINE LH	1	
60	SP10353	HOSE CLIP	2	
61	100507	HOSE PUMP CONNECTOR	2	
62	105997	WATER PIPE ENGINE RH	1	
63	106031	WATER BOTTLE CONN	1	
64	105446	WATER PIPE REAR ENGINE	1	
65	100816	THERMOSTAT SWITCH	1	
66	108633	CLIP, RETAINING	1	
67	106959	THERMOSTAT BUSH	1	
68	106821	HOSE CONNECTOR	1	

ENGINE
RADIATOR/PIPING

UP TO VIN 1233

1

SECTION
SUBSECTION
3 / 1 GROUP



1-3-1-2-4-82

1	SECTION	ENGINE RADIATOR/PIPING	FROM VIN 1234
	SUBSECTION		
	3 1 GROUP		

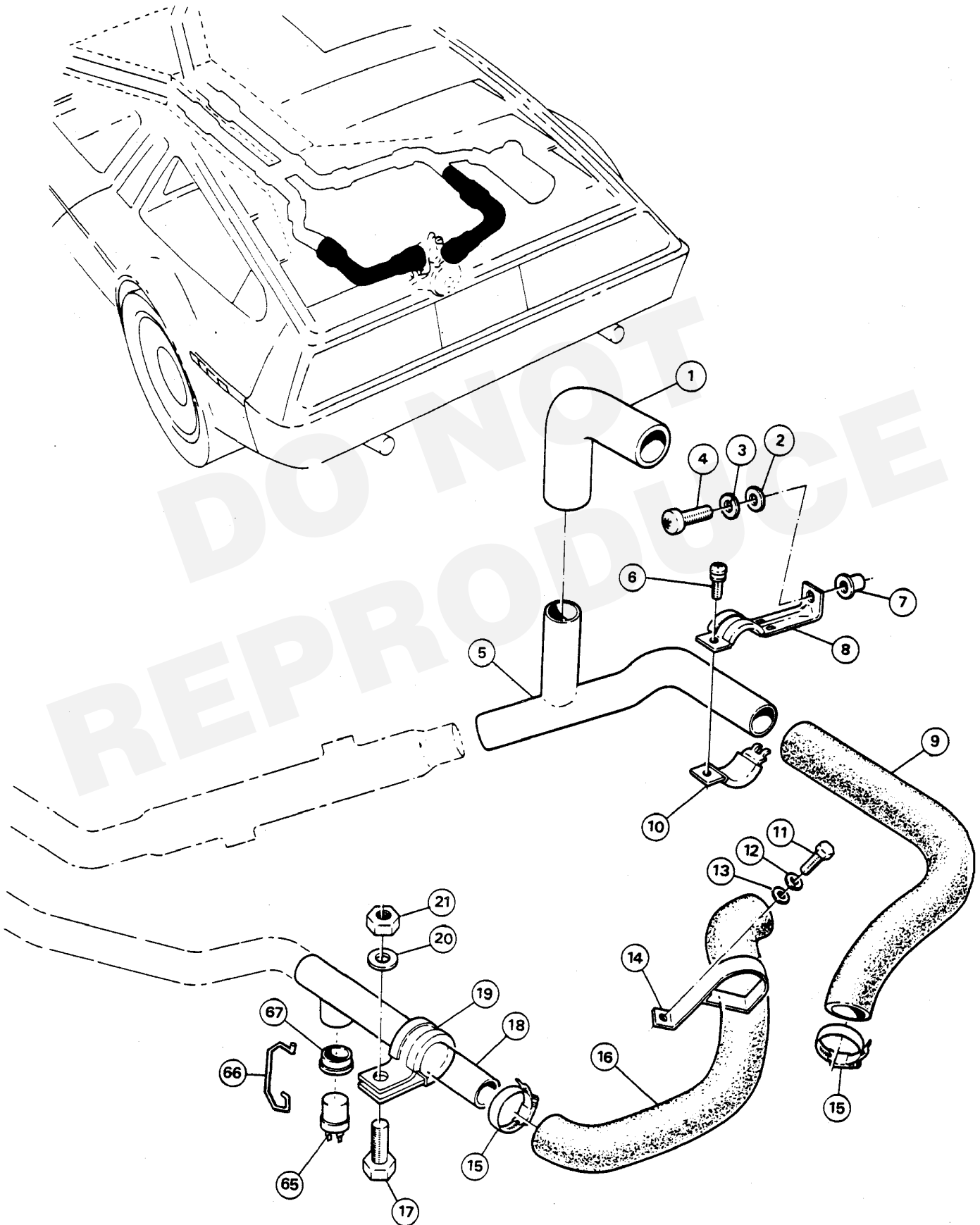
FIG.	PART NUMBER	DESCRIPTION	QTY	REMARKS
1	108679	HOSE-HEADER TANK CONN	1	
2	SP10031	WASHER M6	1	
3	SP10252	SPRING WASHER M6	2	
4	SP10015	SCREW M6	8	
5	108678	WATER PIPE REAR RH	1	
6	SP10454	. SEMS-SCREW M5	1	
7	SP10613	RIVNUT M6	4	
8	108680	MOUNTING BRACKET	1	
9	108676	HOSE-WATER PUMP RH	1	
10	108713	CLIP	1	
11	SP10001	SCREW M8	1	
12	SP10252	SPRING WASHER	1	
13	SP10032	WASHER M8	1	
14	108682	'Q' CLIP	1	
15		HOSE CLIP	2	
16	108675	HOSE-WATER PUMP LH	1	
17	SP10009	SCREW M8	1	
18	110131	WATER PIPE REAR LH	1	
19	110113	'P' CLAMP ASSY	1	
20	SP10032	WASHER M8	2	
21	SP10025	NUT M8	1	
22	100816	THERM ENVELOPE SW	1	
23	108633	THERM CLIP	1	
24	106959	THERM SEALING BUSH	1	

ENGINE
RADIATOR/PIPING

FROM VIN 1234

1

SECTION
SUBSECTION
1 GROUP

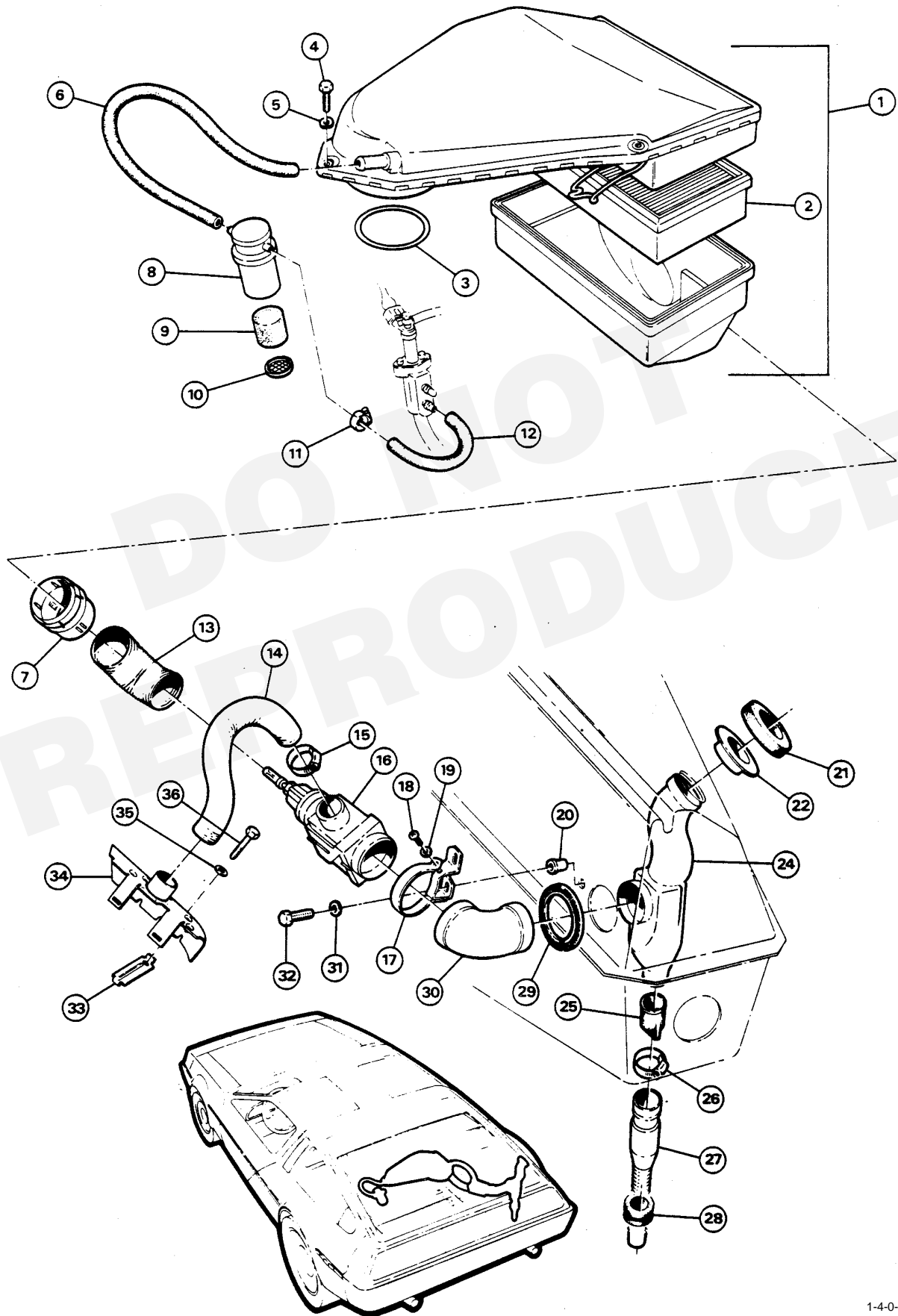


1-3-1-15-82

SECTION		ENGINE AIR INLET SYSTEM		
SUBSECTION		AIR CLEANER ASSEMBLY		
1	4	0	GROUP	
FIG.	PART NUMBER	DESCRIPTION	QTY	REMARKS
1	101058	AIR FILTER ASSEMBLY	1	
2	102575	. AIR FILTER ELEMENT	1	
3	101059	. 'O' RING	1	
4	SP10005	. SCREW M6		
5	SP10252	. WASHER-SPRING M6	3	
6	101062	. HOSE	1	
7	101096	. ADAPTOR-AIR CLEANER	1	
8	102145	OIL FILLER CVR	1	
9	102418	FILTER CARTRIDGE	1	
10	102420	OIL FILLER CVR BOTTOM	1	
11	102356	HOSE CLIP	1	
12	102537	HOSE	1	
13	105927	INL DUCT-AIR CLEANER	1	
14	105926	INL DUCT-TEMP SENSOR	1	
15	SP10353	HOSE CLIP	2	
16	105952	SHUTTER-AIR INLET	1	
17	105837	SUPT ASSY INL DUCT	1	
18	SP10209	. SCREW M4	1	
19	SP10251	. WASHER M4	1	
20	SP10613	RIVNUT M6	2	
21	106693	RING SEAL	2	ONE SEAL FITS ON LH PONTOON
22	106694	PIPE EXT-INL SYSTEM	1	
24	105831	ENGINE INL DUCT PRIM	1	
25	105833	INL DUCT NON-RTN VLV	1	
26	SP10353	HOSE CLIP	1	
27	105834	INL DUCT WATER OTLT	1	
28	SP10358	GROMMET	1	
29	108131	EDGE STRIP	1	
30	105832	ENGINE INL DUCT SECD	1	
31	SP10031	WASHER M6	2	
32	SP10041	SCREW M6	2	
33	106044	MANIFOLD ASSY BRKT	2	
34	106108	EXH MANIF STOVE	1	
35	SP10503	WASHER M5	2	
36	SP10688	SCREW M5	2	

ENGINE AIR INLET SYSTEM
AIR CLEANER ASSEMBLY

SECTION
1
SUBSECTION
4
GROUP
0

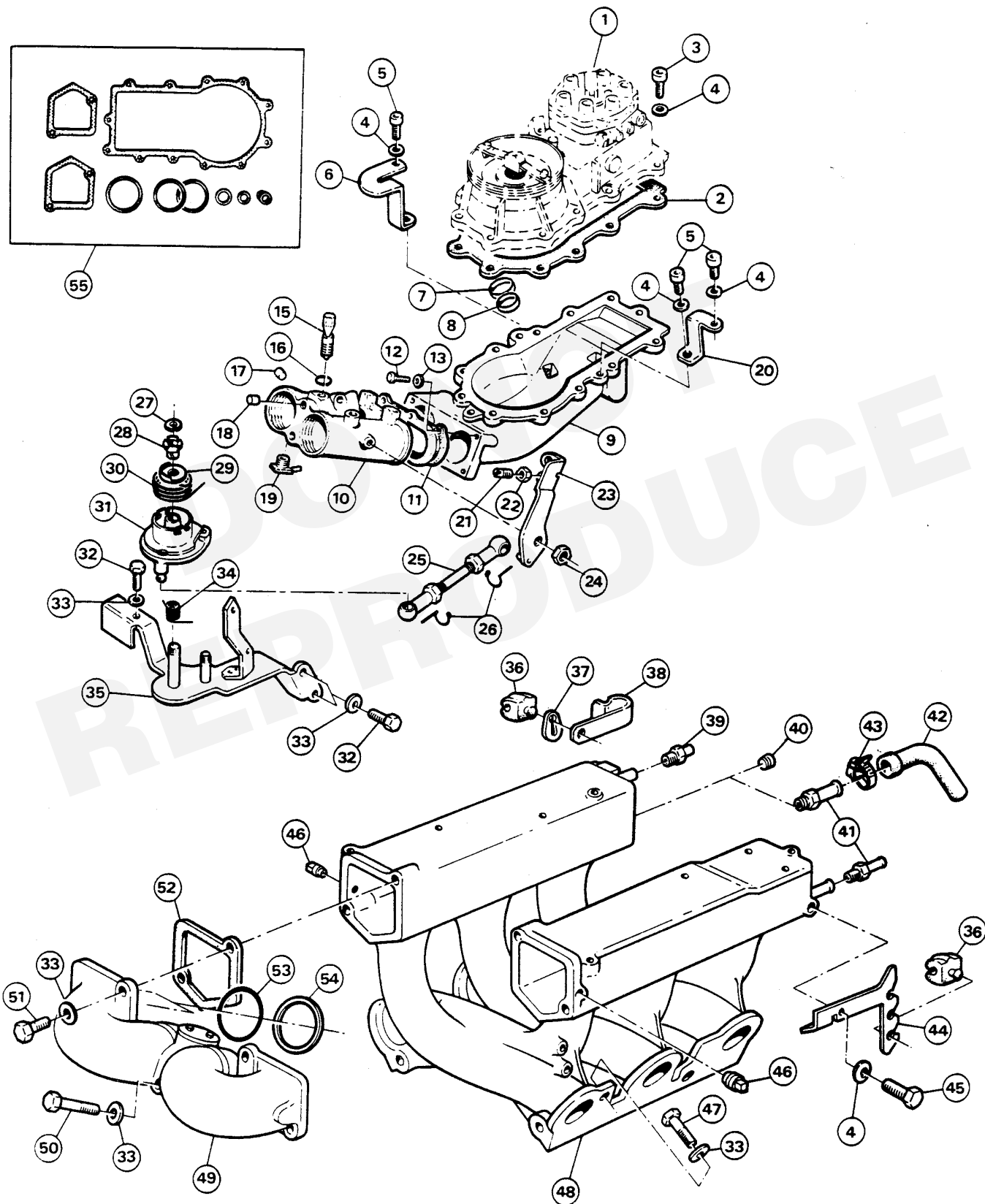


1-4-0-4-27-81

SECTION		ENGINE		
SUBSECTION		AIR INDUCTION SYSTEM		
1	4	1	GROUP	
FIG.	PART NUMBER	DESCRIPTION	QTY	REMARKS
1	102789	MIXTURE CONTROL UNIT	1	REFER TO 2-2-0
2	102489	GASKET-MIX CONN UNIT	1	PART OF 102574 GASKET KIT (FIG 3)
3	102490	SCREW M6	12	
4	101061	SPRING WASHER M6	18	
5	102317	SCREW M6	4	
6	102776	LWR HOUSING BRKT RH	1	
7	102294	SEAL TIGHTENING CUP	1	
8	102293	'O' RING	1	
9	102771	MIX UNIT LWR HSG	1	
10	102850	THROTTLE VALVE ASSY	1	
11	102772	GSKT-LWR HSG/T/V	1	
12	102317	SCREW M6	8	
13	102228	WASHER M6	16	
15	102391	PLUG	3	
16	102393	'O' RING	3	
17	102292	PLUG	1	
18	102004	PLUG	1	
19	102313	NIPPLE	1	
20	102777	LWR HOUSING BRKT LH	1	
21	102310	SCREW M5	2	
22	102557	NUT M5	2	
23	102780	LEVE R	1	
24	102311	LOCKNUTM8	1	
25	102555	QUADRANT M8	1	
26	102564	SAFETY RET RING	2	
27	102544	CIRCLIP	1	
28	102541	QUADRANTSPDL GUIDE	2	
29	102545	GOV CON QUADRANT	1	AUTOMATIC ONLY
30	102543	QUADRANT RTN SPRING	1	
31	102782	THROTTLE CONTROL	1	
32	102554	SCREW M7	3	
33	101048	WASHER M7	12	
34	102542	QUADRANT RTN SPRING	1	
35	102781	BOBBIN	1	
36	102276	PLASTIC CLIP	4	
37	102275	SPARK PLUG WIRE BRKT	1	
38	102493	CLIP	1	
39	102267	NIPPLE	1	
40	102269	PLUG	1	MANUAL ONLY
41	102268	THREADED NIPPLE	1	ONE OFF MANUAL, TWO OFF AUTO
42	102270	VACUUM HOSE	1	
43	102271	HOSE CLIP	1	
44	102272	HOOK BRACKET	1	
45	102274	SCREW M6	1	

ENGINE
AIR INDUCTION SYSTEM

SECTION
1
SUBSECTION
4
GROUP
1



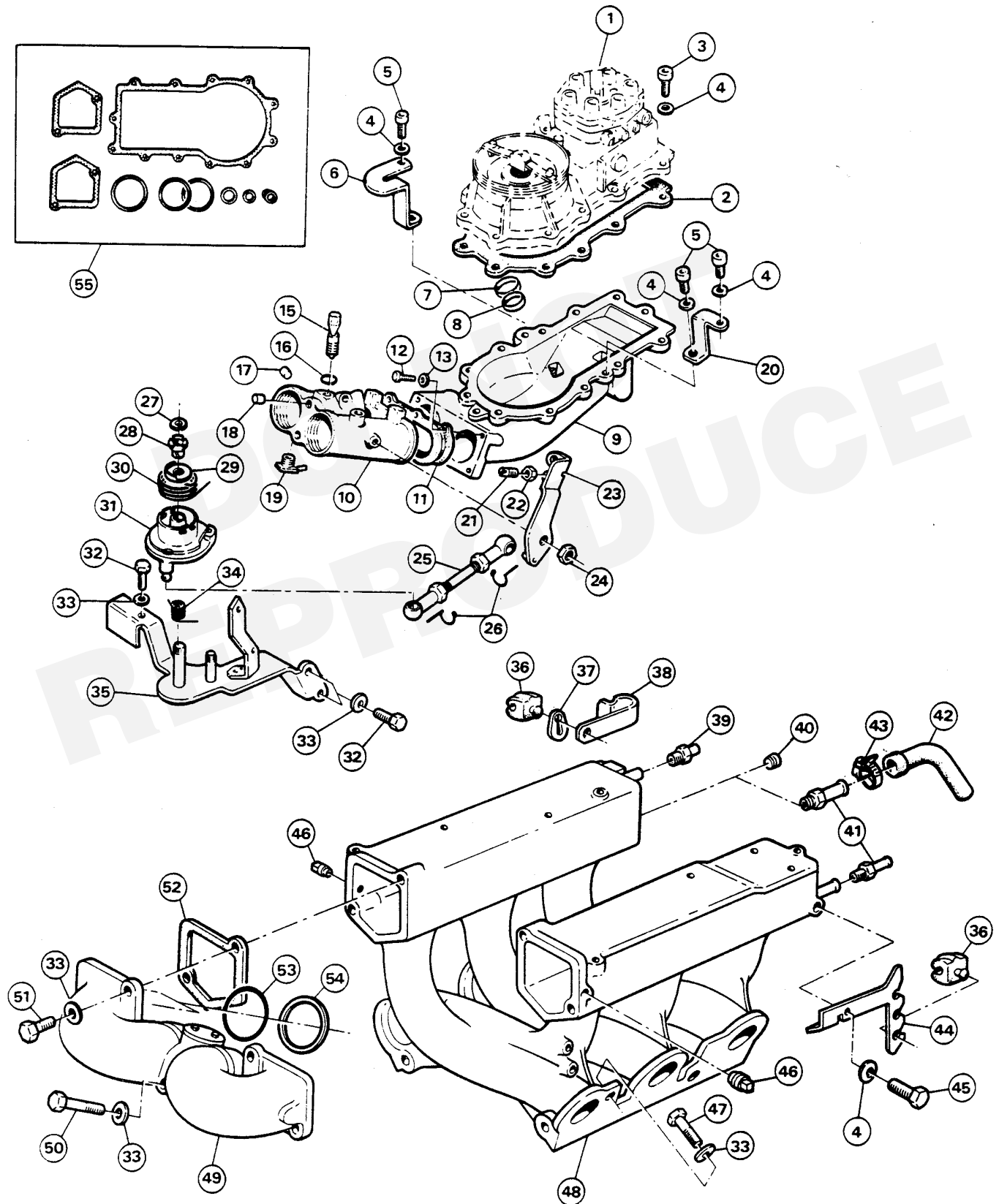
1	SECTION	ENGINE AIR INDUCTION SYSTEM
	SUBSECTION	
	4 / 1 GROUP	

FIG.	PART NUMBER	DESCRIPTION	QTY	REMARKS
141				
46	102266	PLUG	2	
47	102191	SCREW M7	4	
48	102260	INLET MANIFOLD	1	
49	102279	INTER INLET MANIFOLD	1	PART 'A' INCLUDED
50	102286	SCREW M7	1	
51	102198	SCREW M7	4	
52	102284	INLET MANIFOLD GSKT'	2	PART OF 102574 GASKET KIT (FIG 55)
53	102283	'O' RING	2	PART OF 102574 GASKET KIT EFIG 55)
54	102282	BACK UP RING	2	
55	102574	GASKET KIT		

DO NOT REPRODUCE

ENGINE
AIR INDUCTION SYSTEM

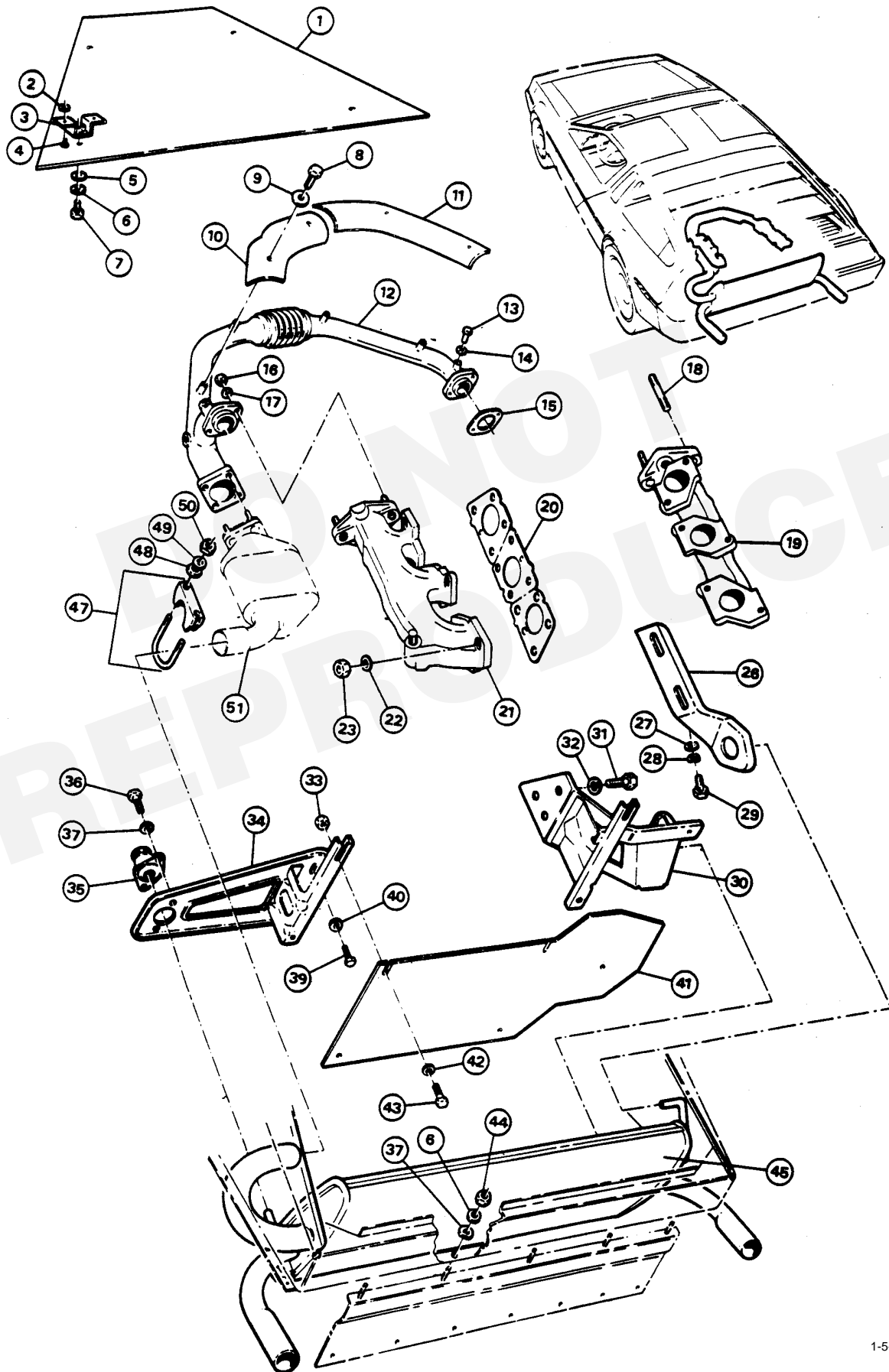
SECTION
1
4
SUBSECTION
1
GROUP



1	SECTION		ENGINE EXHAUST SYSTEM	
	5	SUBSECTION	MUFFLER/HEAT SHIELDS	
		0	GROUP	
FIG.	PART NUMBER	DESCRIPTION	QTY	REMARKS
1	105918	HEATSHIELD UNDERBODY	1	
2	SP10251	POP RIVET WASHER	8	
3	106949	BRACKET-MOUNTING	4	
4	SP10680	POP RIVET	8	
5	SP10507	WASHER-EXTRA LARGE M6	4	UP TO VIN 2458
	SP10647	WASHER EXTRA LARGE M6	4	FROMVIN 2459
6	SP10252	WASHER-SPRING M6	4	
7	SP10041	SCREW M6	4	
8	SP10833	SCREW M6	4	
9	SP10263	WASHER-LARGE M6	4	
10	108485	HEATSHIELD LH	1	
11	105060	HEATSHIELD RH	1	
12	100418	FRONTPIPE	1	UP TO VIN 10000
	110576	FRONT PIPE	1	FROM VIN 10001
13	108245	BOLT	2	
14	108246	SEALING WASHER	2	
15	100928	GASKET	2	
16	SP10170	NUT-AERO M10	4	
17	SP10262	WASHER M10	4	
18	102259	STUD	4	
19	102258	EXH MANIFOLD 123	1	
20	102263	EXH MANIFOLD GASKET	2	PART OF 102565,102566 & 102567
21	102257	EXH MANIFOLD 456	1	GASKET KIT (1-1-0)
22	102265	WASHER	12	
23	102441	NUT	12	
26	108200	MT BRKT RH TOP	1	
27	SP10259	WASHER M7	2	
28	SP10049	WASHER-SPRING M7	2	
29	SP10226	SCREW M7	2	
30	105154	MUFF MT BR KT RH	1	
31	SP10009	SCREW M8	3	
32	SP10032	WASHER M8	3	
33	SP10024	NYLOCNUT M6	2	
34	105153	MUFF MT BRKT LH	1	
35	105148	RUBBER MOUNTING	3	
36	SP10705	SCREW M6	6	
37	SP10031	WASHER M6	6	
39	SP10205	SCREW M10	2	
40	SP10033	WASHER M10	2	
41	106931	H/SHLD-ALT & CRKSFT	1	
42	SP10256	WASHER-LARGE M6	7	
43	SP10041	SCREW M6	5	
44	SP10030	NUT M6	5	
45	100420	MUFFLER -TAILPIPE	1	UPTOVIN 10000
	110194	MUFFLER - TAILPIPE	1	FROM VIN 10001

ENGINE EXHAUST SYSTEM
MUFFLER/HEAT SHIELDS

SECTION
1 5
SUBSECTION
0 GROUP



1-5-0-1-15-82

1	SECTION	ENGINE THROTTLE LINKAGE PEDAL/CABLE
	SUBSECTION	
	6 / 0 GROUP	

FIG.	PART NUMBER	DESCRIPTION	QTY	REMARKS
1	SP10225 *	BOLT M6	1	
2	SP10069 *	LOCKNUT M6	1	
3	SP10823	CLEVIS PIN	1	
4	105983 *	SPRING-RETURN	1	
5	100366 *	WASHER-FELT	1	
6	100364	WASHER	1	
7	100485	THROTTLE CABLE	1	
8	108140	GROMMET	1	
9	108205 *	RUBBER	1	
10	108112 *	ACCELERATOR PED ASSY	1	
11	108111 *	BUSH	1	
12	SP10124 *	'R' CLIP	1	
13	SP10111 *	WASHER	1	
14	SP10440	SCREW M5	1	
15	SP10106	NYLOC NUT M5	1	
16	108516	THROTTLE ABUTMENT	1	
17	SP10145	LOCKNUT M8	1	

*INCLUDED IN PEDAL BOX ASSEMBLY (SEE 6-6-0)

ENGINE
THROTTLE LINKAGE PEDAL/CABLE

SECTION
1
SUBSECTION
6
GROUP
0

